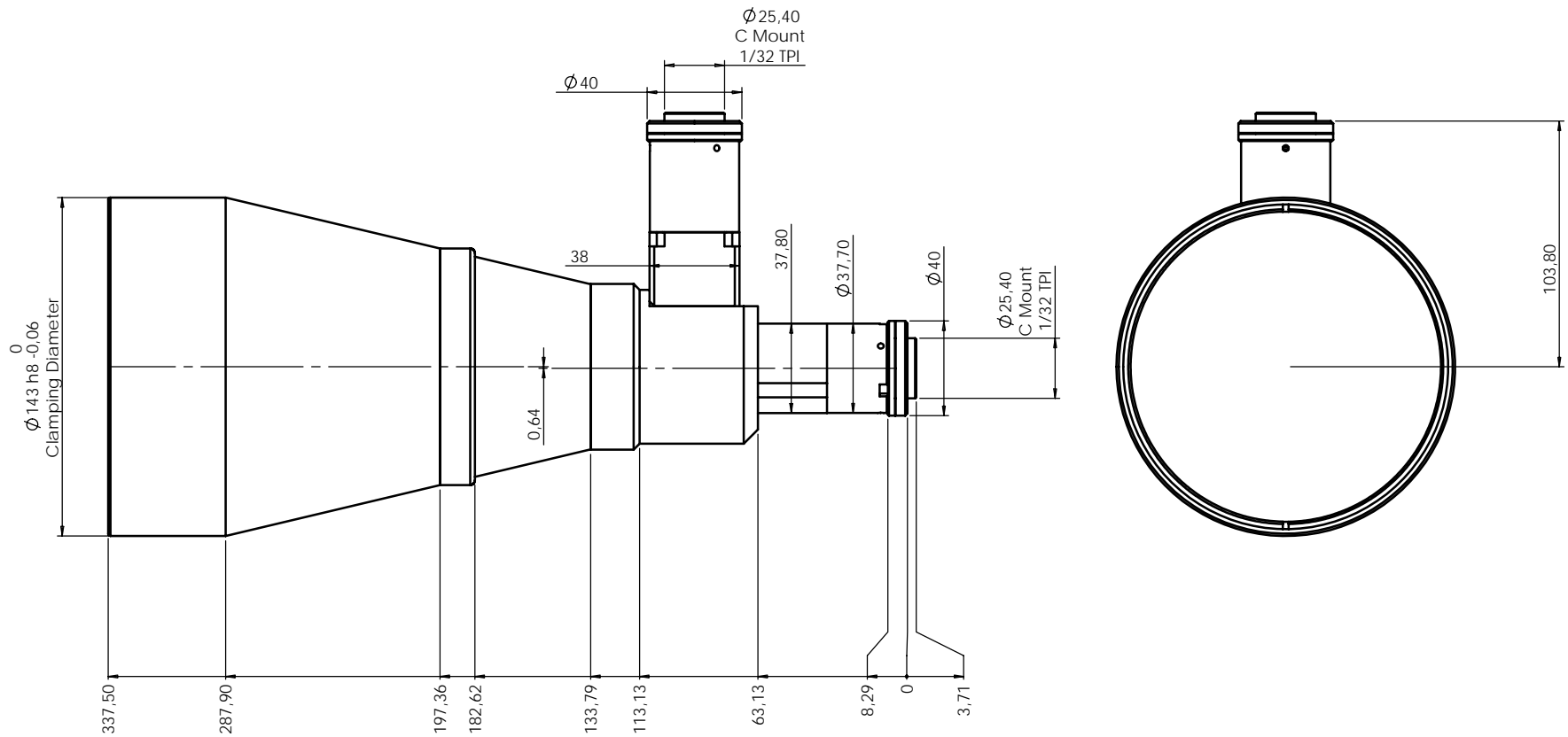


| Rev No. | Description | Date | Name |
|---------|-------------|----------|--------|
| A | Layout | 14/12/11 | A. Bnà |
| | | | |
| | | | |



| | | | | | | | | | | | | | | | | | | | | | | | | | | | | | | | | | | | | | | | | | | | | | | | | | | | | | | | | | | | | | | | | | | | |
|------------------------------------|------|--|------------------------------|---------------------------------|-------|---|-------|---------------------|-------------------------------|--------------------|---|-----|-----|-----|------|------|-------|-------|-------|---------------------|-------|--------------------|----|---|----|-----|------|------|-------|-------|------|------|------|------|------|------|------|----|-------------|--|-------|--|--|------|--|------|--|-----------|--|-----|--|----------|----------|--------|--|---|--|------|----------|--------|--|---------|---|--------------|--|---------------------------------|--|
| Material | N.A. | | Mass | 3.2 Kg | Scale | 1:2 | | | | | | | | | | | | | | | | | | | | | | | | | | | | | | | | | | | | | | | | | | | | | | | | | | | | | | | | | | | | | |
| Surface treatment | N.A. | | Project-Prod Item/Instrument | TCDP 2X 096 | | | | | | | | | | | | | | | | | | | | | | | | | | | | | | | | | | | | | | | | | | | | | | | | | | | | | | | | | | | | | | | |
| Geometrical tolerance (ISO 2768-2) | | <table border="1"> <tr> <td colspan="2">Class</td> <td>K</td> <td rowspan="2">Undimensioned bevels</td> <td rowspan="2">1x45°</td> <td rowspan="2">Description</td> </tr> <tr> <td colspan="2">Linear tolerance (ISO 2768-2)</td> <td>m</td> </tr> <tr> <td>0.5</td> <td>>3-</td> <td>>6-</td> <td>>30-</td> <td>>120</td> <td>>400-</td> <td>>1000</td> <td>>2000</td> <td rowspan="2">Undimensioned radii</td> <td rowspan="2">R 0.5</td> <td rowspan="2">TCDP 2X 096 Layout</td> </tr> <tr> <td>±3</td> <td>6</td> <td>30</td> <td>120</td> <td>±400</td> <td>1000</td> <td>±2000</td> <td>±4000</td> </tr> <tr> <td>±0.1</td> <td>±0.1</td> <td>±0.2</td> <td>±0.3</td> <td>±0.5</td> <td>±0.8</td> <td>±1.2</td> <td>±2</td> <td colspan="2">Drawing No.</td> <td>Sheet</td> </tr> <tr> <td colspan="2" rowspan="3"> </td> <td colspan="2">Date</td> <td colspan="2">Name</td> <td colspan="2">16311-0-A</td> <td colspan="2">1/1</td> </tr> <tr> <td>Designed</td> <td>14/12/11</td> <td colspan="2">A. Bnà</td> <td colspan="2" rowspan="2">Reproduction forbidden without specific authorization</td> </tr> <tr> <td>Draw</td> <td>14/12/11</td> <td colspan="2">A. Bnà</td> </tr> <tr> <td>Checked</td> <td>X</td> <td colspan="2">C. Sedazzari</td> <td colspan="2">http://www.opto-engineering.com</td> </tr> </table> | Class | | K | Undimensioned bevels | 1x45° | Description | Linear tolerance (ISO 2768-2) | | m | 0.5 | >3- | >6- | >30- | >120 | >400- | >1000 | >2000 | Undimensioned radii | R 0.5 | TCDP 2X 096 Layout | ±3 | 6 | 30 | 120 | ±400 | 1000 | ±2000 | ±4000 | ±0.1 | ±0.1 | ±0.2 | ±0.3 | ±0.5 | ±0.8 | ±1.2 | ±2 | Drawing No. | | Sheet | | | Date | | Name | | 16311-0-A | | 1/1 | | Designed | 14/12/11 | A. Bnà | | Reproduction forbidden without specific authorization | | Draw | 14/12/11 | A. Bnà | | Checked | X | C. Sedazzari | | http://www.opto-engineering.com | |
| Class | | | K | Undimensioned bevels | 1x45° | | | | Description | | | | | | | | | | | | | | | | | | | | | | | | | | | | | | | | | | | | | | | | | | | | | | | | | | | | | | | | | | |
| Linear tolerance (ISO 2768-2) | | m | | | | | | | | | | | | | | | | | | | | | | | | | | | | | | | | | | | | | | | | | | | | | | | | | | | | | | | | | | | | | | | | | |
| 0.5 | >3- | >6- | >30- | >120 | >400- | >1000 | >2000 | Undimensioned radii | R 0.5 | TCDP 2X 096 Layout | | | | | | | | | | | | | | | | | | | | | | | | | | | | | | | | | | | | | | | | | | | | | | | | | | | | | | | | | |
| ±3 | 6 | 30 | 120 | ±400 | 1000 | ±2000 | ±4000 | | | | | | | | | | | | | | | | | | | | | | | | | | | | | | | | | | | | | | | | | | | | | | | | | | | | | | | | | | | | |
| ±0.1 | ±0.1 | ±0.2 | ±0.3 | ±0.5 | ±0.8 | ±1.2 | ±2 | Drawing No. | | Sheet | | | | | | | | | | | | | | | | | | | | | | | | | | | | | | | | | | | | | | | | | | | | | | | | | | | | | | | | | |
| | | Date | | Name | | 16311-0-A | | 1/1 | | | | | | | | | | | | | | | | | | | | | | | | | | | | | | | | | | | | | | | | | | | | | | | | | | | | | | | | | | | |
| | | Designed | 14/12/11 | A. Bnà | | Reproduction forbidden without specific authorization | | | | | | | | | | | | | | | | | | | | | | | | | | | | | | | | | | | | | | | | | | | | | | | | | | | | | | | | | | | | | |
| | | Draw | 14/12/11 | A. Bnà | | | | | | | | | | | | | | | | | | | | | | | | | | | | | | | | | | | | | | | | | | | | | | | | | | | | | | | | | | | | | | | |
| Checked | X | C. Sedazzari | | http://www.opto-engineering.com | | | | | | | | | | | | | | | | | | | | | | | | | | | | | | | | | | | | | | | | | | | | | | | | | | | | | | | | | | | | | | | |