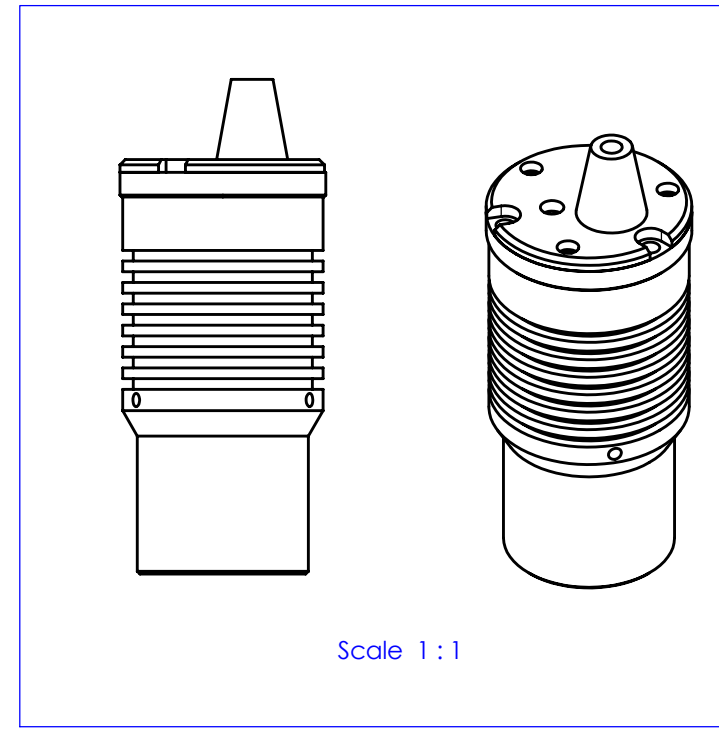
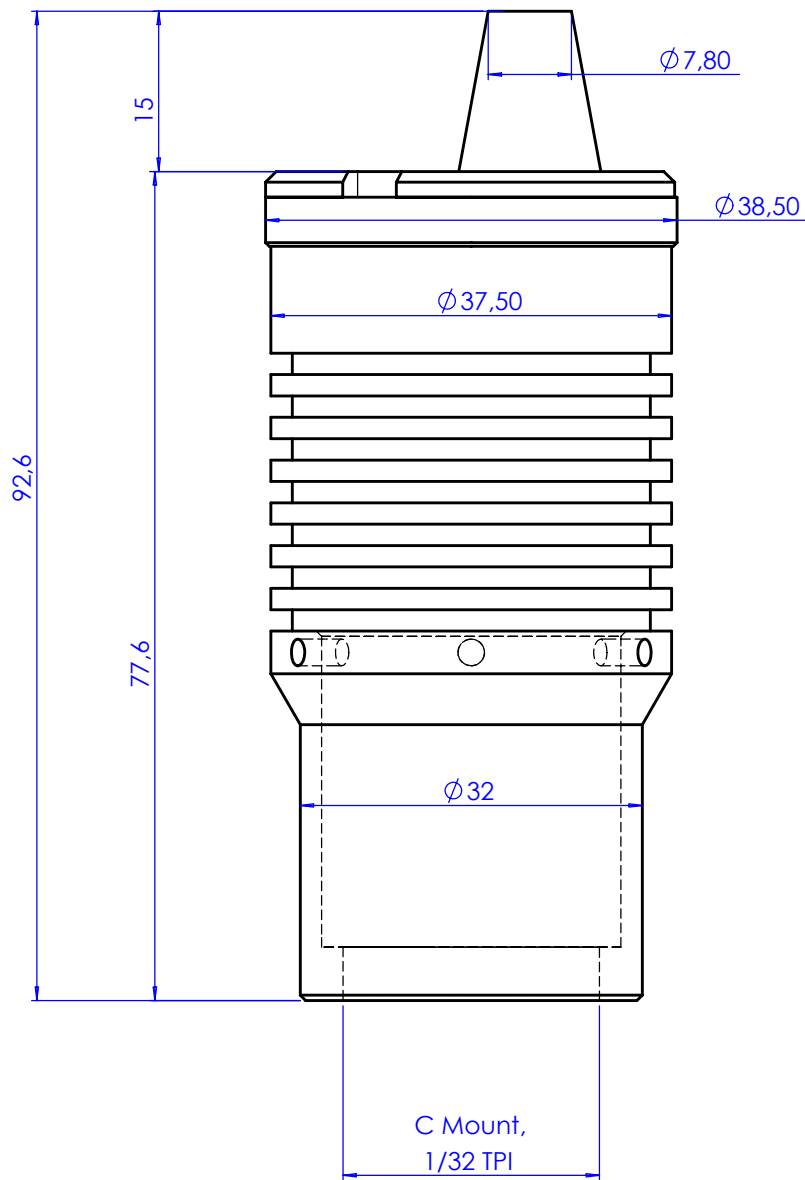


Rev No.	Description	Date	Name
A	Nuovo pezzo	05/12/07	A.Vismara



Material	N.A.			Mass	163.8 g	Scale	2:1
Surface treatment	N.A.			Project-Prod.item/Instrument		LTPR	
Geometrical tolerance (ISO 2768-2)			Class	K	Undimensioned bevels		1x45°
Linear tolerance (ISO 2768-2)			m		Undimensioned radii		R 0.5
0.5 ±3	>3± 6	>6± 30	>30± 120	>120 ±400	>400± 1000	>1000 ±2000	>2000 ±4000
±0.1	±0.1	±0.2	±0.3	±0.5	±0.8	±1.2	±2
www.opto-engineering.com		Date		Name		Drawing No.	
Designed		17/03/03		A.Vismara		03532-0-A	
Draw		05/12/07		A.Vismara		Sheet	
Checked		X		C. Sedazzari		1/1	
Reproduction forbidden without specific authorization OPTO ENGINEERING S.r.l. - 46100 Mantova Italy - Via Cremona, 29/2 - Tel. +39 0376 229585 - e-mai: info@opto-engineering.it - http://www.opto-engineering.com							