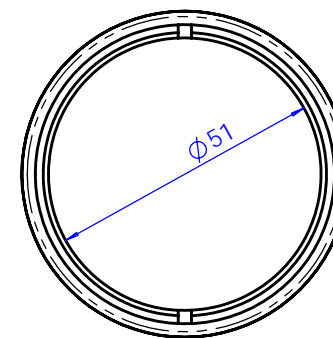
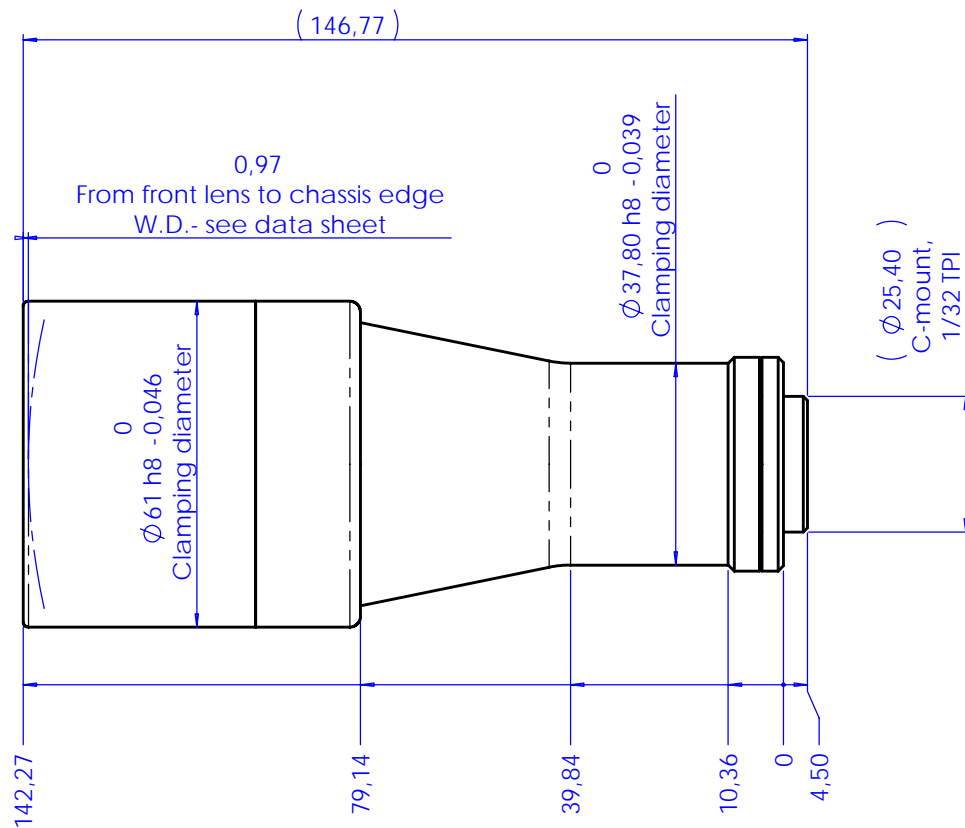


Rev No.	Description	Date	Name
A	First light	09/05/08	A.Vismara



Material	N.A.		Mass	0.57 kg	Scale	1:1			
Surface treatment	N.A.		Project-Prod.Item/Instrument Telecentric lens UV 12 36						
Geometrical tolerance (ISO 2768-2)		Class	K	Undimensioned bevels	1x45°	Description Assembly			
Linear tolerance (ISO 2768-2)		Class	m	Undimensioned radii	R 0.5				
0.5	>3-	>6-	>30-	>120	>400-	>1000	>2000	Drawing No. 02626-0-A	Sheet 1/1
+3	6	30	120	+400	+1000	+2000	+4000		
±0.1	±0.1	±0.2	±0.3	±0.5	±0.8	±1.2	±2	Date	
		Designed		09/05/08	A.Vismara		Date		
		Draw		09/05/08	A.Vismara		Name		
		Checked		X	C. Sedazzari		Drawing No.		
www.opto-engineering.com									
Reproduction forbidden without specific authorization									