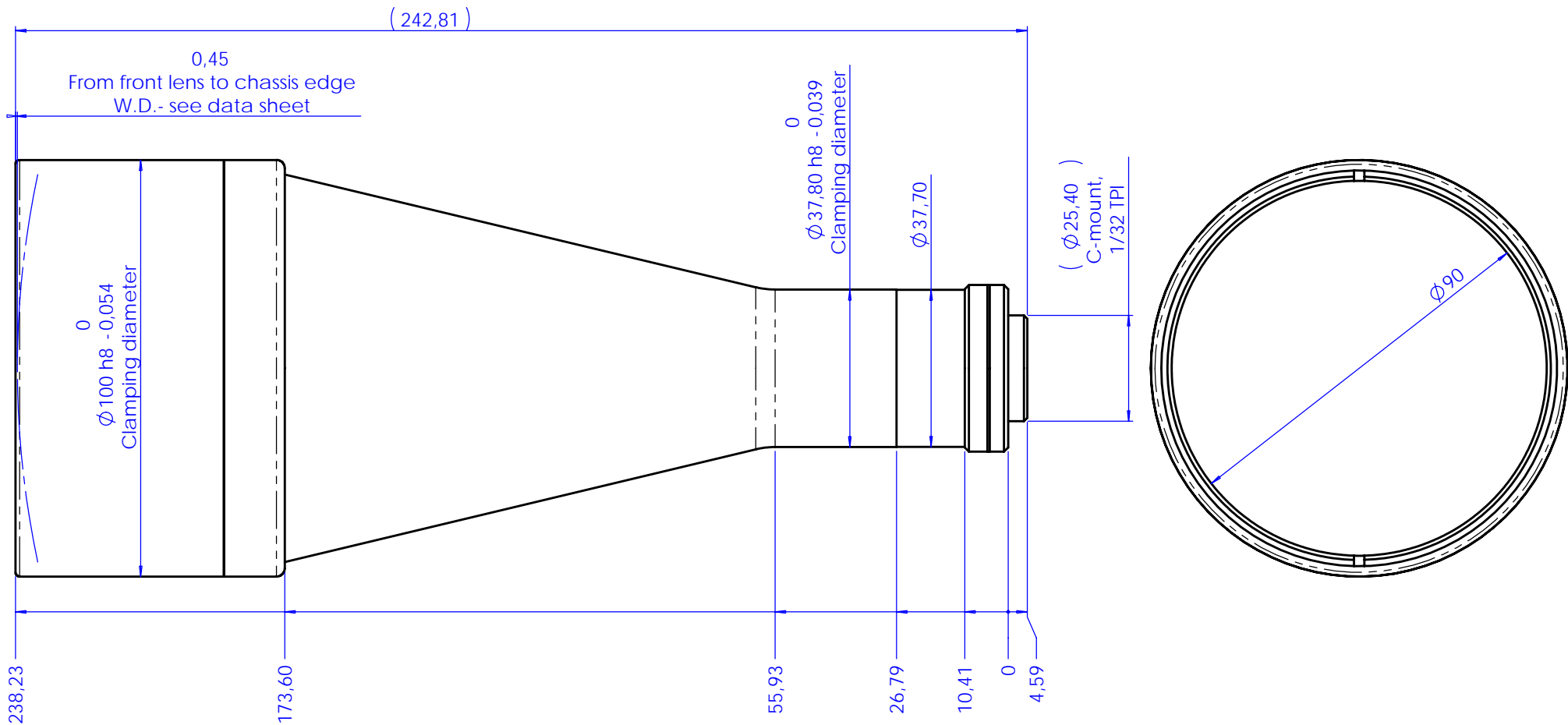


Rev No.	Description	Date	Name
A	First light	09/05/08	A.Vismara



Material	N.A.		Mass	1.1 kg	Scale	1:1			
Surface treatment	N.A.		Project-Prod.Item/Instrument Telecentric lens UV 23 64						
Geometrical tolerance (ISO 2768-2)		Class	K	Undimensioned bevels	1x45°	Description Assembly			
Linear tolerance (ISO 2768-2)		Class	m	Undimensioned radii	R 0.5				
0.5	>3-	>6-	>30-	>120	>400-	>1000	>2000	Drawing No. 02624-0-A	Sheet 1/1
+3	6	30	120	+400	1000	+2000	+4000		
±0.1	±0.1	±0.2	±0.3	±0.5	±0.8	±1.2	±2	Date Designed: 09/05/08 A.Vismara Draw: 09/05/08 A.Vismara Checked: X C. Sedazzari	
		www.opto-engineering.com		Date Name		Drawing No. 02624-0-A		Sheet 1/1	
OPTO ENGINEERING S.r.l. - 46100 Mantova Italy - Via Cremona, 29/2 - Tel. +39 0376 263565 - e-mai: info@opto-engineering.com - http://www.opto-engineering.com									