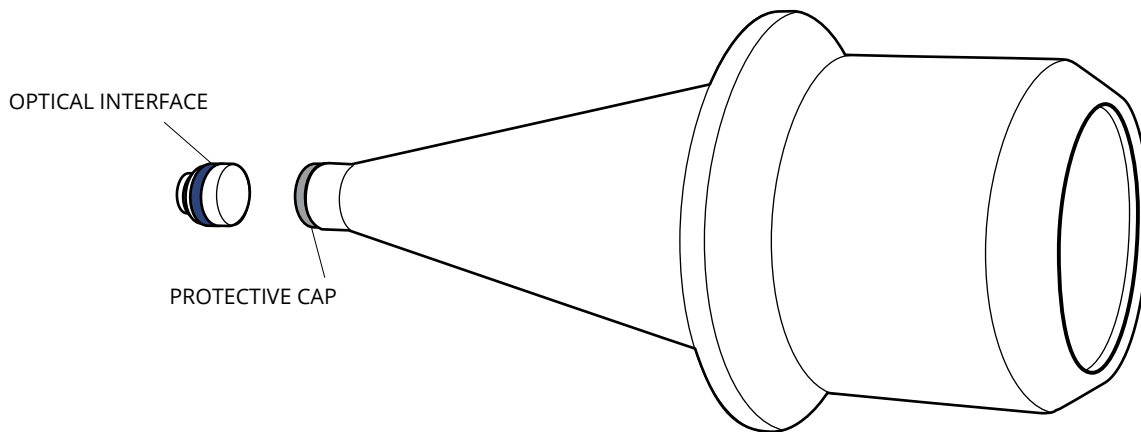


PC12030HP / PC13030HP

Assembling procedure



Just remove the protective cap and screw the optical interface into the rear part of the lens

