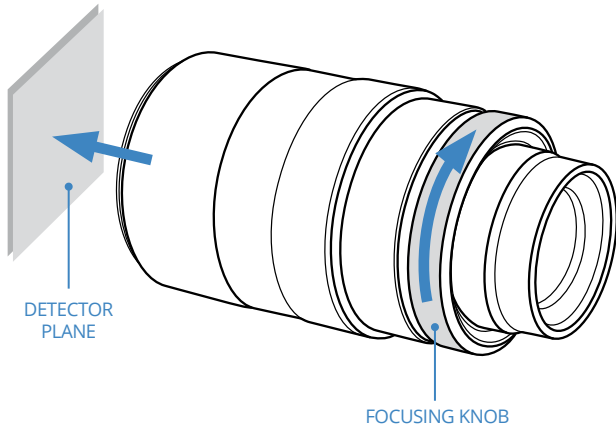


# MC12K focusing instructions

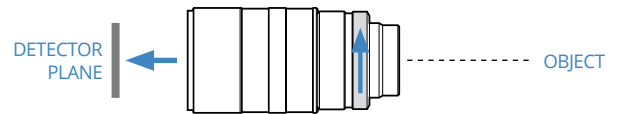
## Manual focus adjustment

Rotate the focusing knob to accurately focus the object to be imaged.

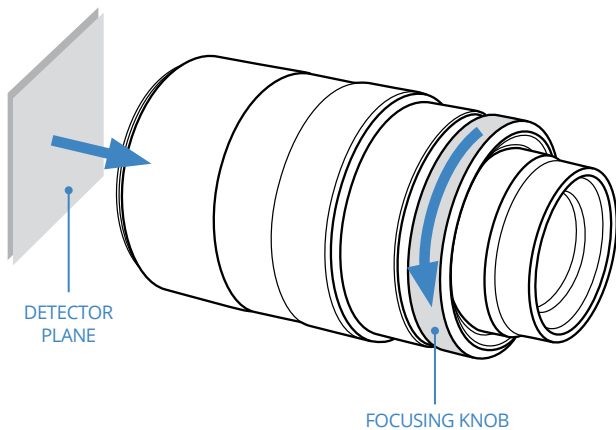
### Object away from the optics:



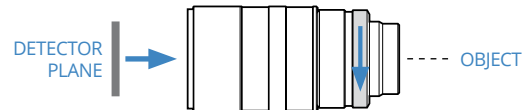
Rotate the focusing knob **counter-clockwise** to move the lenses **closer to the detector** and focus objects positioned further away from the optics .



### Object close to the optics:



Rotate the focusing knob **clockwise** to move the lenses **away from the detector** and focus objects positioned closer to the optics.



Once you have achieved the best focus position, lock the barrel in place by simply screwing the locking pin with an M1.5 Allen key.