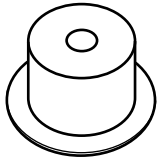


LTRN050W45 - PCPW0xx positioning

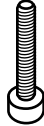
Positioning instructions

LTRN050W45 is a versatile LED ring illuminator that can be easily integrated into PCPW0xx optics by the user following these instructions.

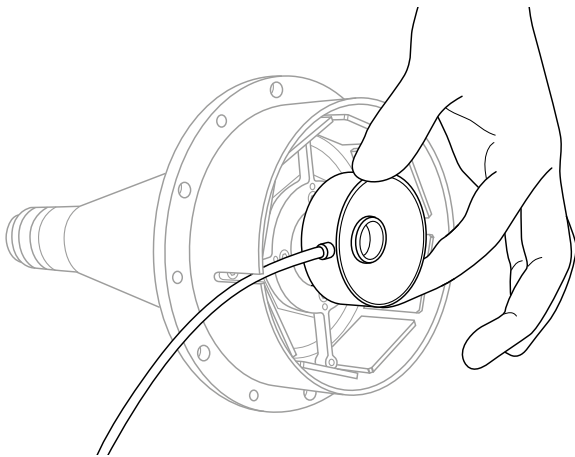
When you receive PCPW optics, in the package you will find the following items:



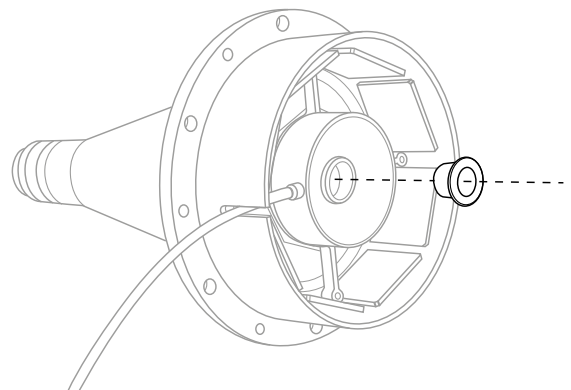
adapter for LTRN050W45



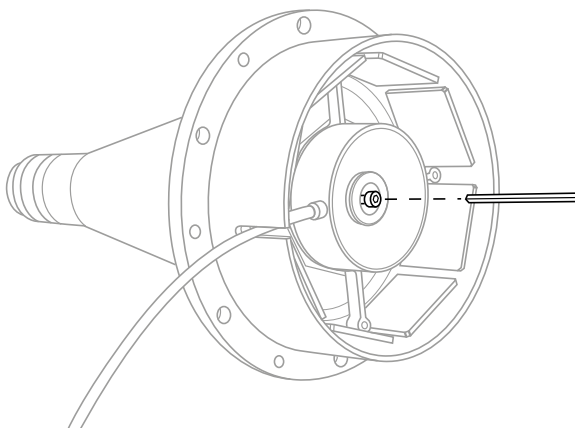
M3X16 screw



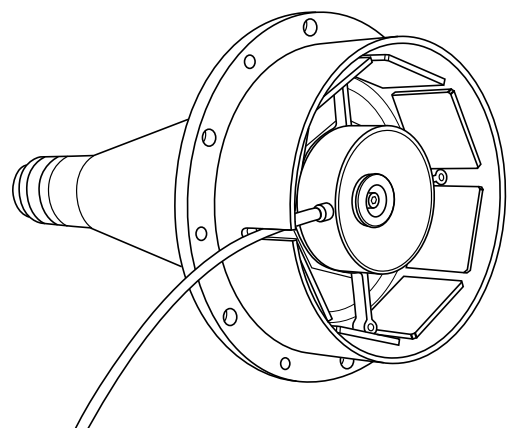
- 1 Position LTRN050W45 at the center of PCPW base. Align LTRN050W45 so that power cord can be placed in the dedicated slot.



- 2 Insert adapter for LTRN050W45



- 3 Lock LTRN050W45 in place by screwing the M3X16 with an M2.5 Allen Key



- 4 LTRN050W45 is now properly positioned